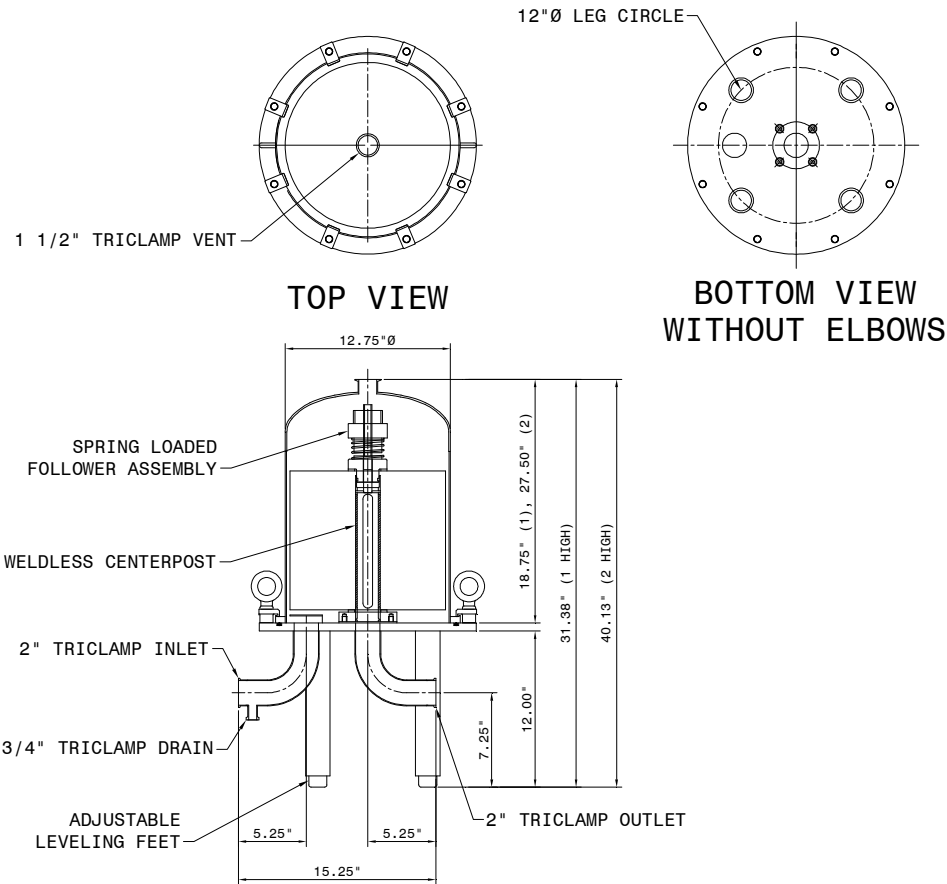


# 12" Sanitary Lenticular Filter Housing



## Part Number

<b>SAN-SD</b>	<b>-12</b>	<b>- *</b>	<b>- 2T</b>	<b>- T</b>	<b>- *</b>	<b>EP</b>
<b>Sanitary</b>	<b>12" Element</b>	<b>Element Length</b>	<b>Inlet/Outlet Connection</b>	<b>Vent Connection</b>	<b>Gasket Material</b>	<b>Interior/Exterior Finish</b>
		1 - 1 High 2 - 2 High	2T - 2" Tri Clamp	T - 1 1/2" Tri Clamp w/ 3/4" Tri Clamp Drain	E EPDM V Viton S Silicon	EP Electropolished