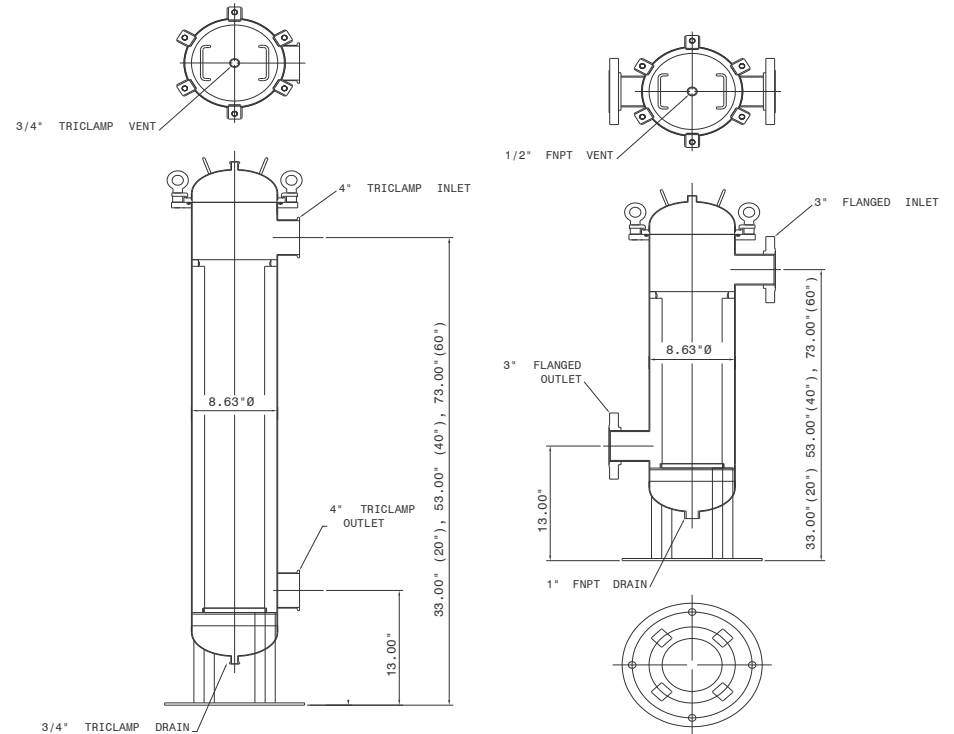


IHP High Flow Single & Multi Round Filter Housings



Note: Diagrams are for reference only. All housings are custom designed for orientation and configuration.

Custom Housing Part Number

IHP Industrial High Purity	- HF High Flow Series	Number of Cartridges	Element Length	Inlet/Outlet Connection	Drain Connection	Gasket Material	Interior/Exterior Finish
		1	2 - 20"	3TC - TriClamp	3/4TC - TriClamp	E - EPDM	BBP_Bead Blast
		3	4 - 40"	3F - Flanged	3/4N - Female NPT	V - Viton	& Passivate
		4	6 - 60"	4TC - TriClamp 4F - Flanged	1TC - TriClamp 1N - Female NPT	S - Silicone	EP - Electropolish