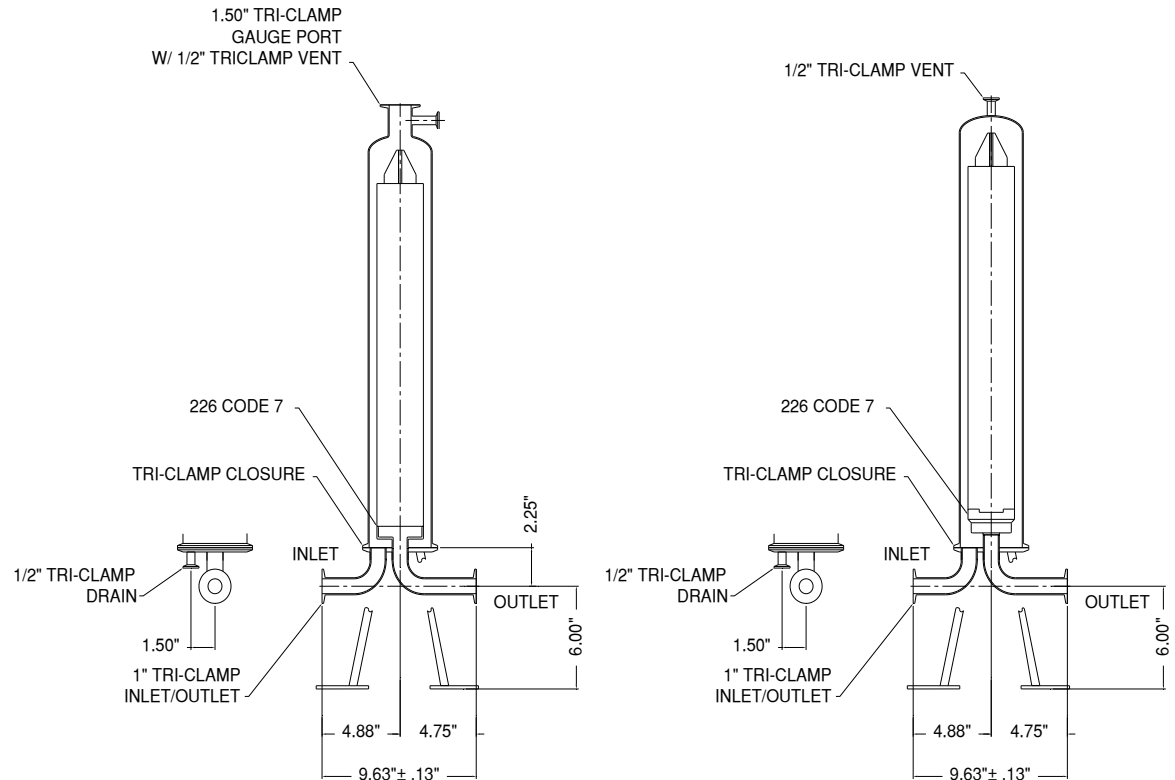
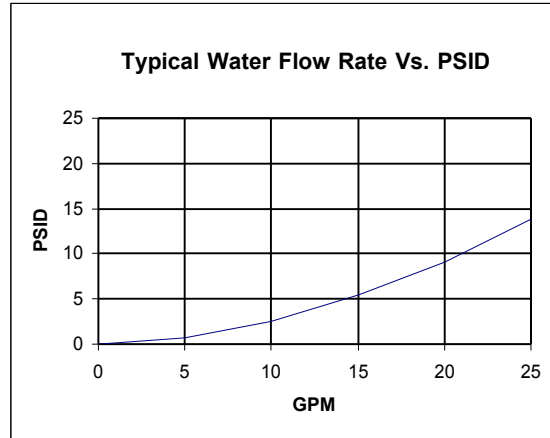


Industrial High Purity Cartridge Filter Housing



1 Round T-Style



Note: Dimensions and Configurations are for reference only. Design drawings available upon request.

Custom Housing Part Number

IHP Industrial High Purity	- 1T T-Style	- Element Length	- Cartridge Connection	- 1 Inlet/Outlet Connection	- 1/2 Vent/Drain Connection	- Gasket Material	- Interior/Exterior Finish
		1 10"	7 226	TC Tri-Clamp	TC Tri-Clamp	E EPDM	BBP Bead Blast
		2 20"	8 222	F Flanged	TCG Tri-Clamp w/ Gaugeport	V Viton	& Passivate
		3 30"			NPT Female Threaded	S Silicone	EP Electropolished
		4 40"					