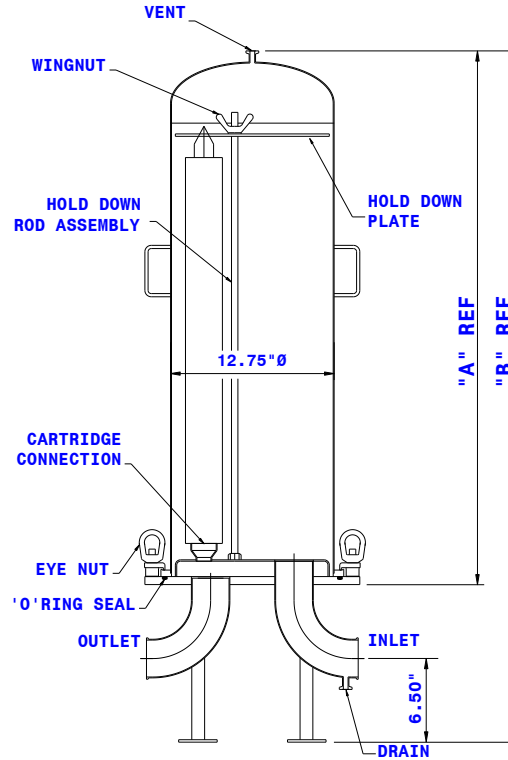
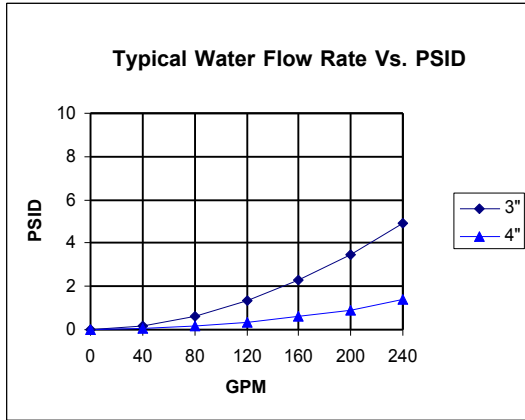
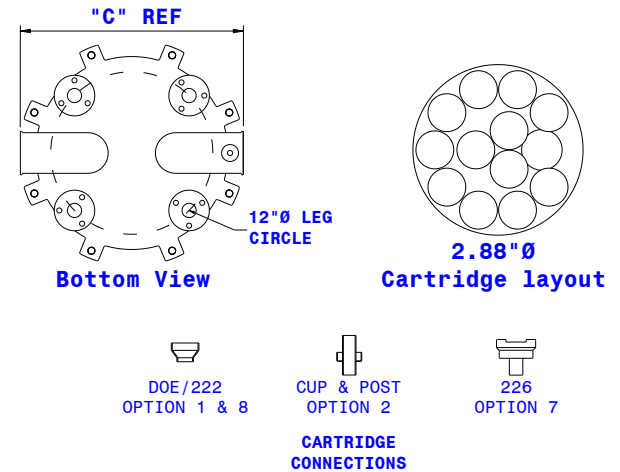


Industrial High Purity Cartridge Filter Housing

T- Style, 12 Round (Bottom Open)



Element Length	A	B	C 3" I/O	C 4" I/O
10"	21.50"	33.75"	19.75"	23.31"
20"	31.50"	43.75"	19.75"	23.31"
30"	41.50"	53.75"	19.75"	23.31"
40"	51.50"	63.75"	19.75"	23.31"



Custom Housing Part Number

Note: Dimensions are for reference only. Design drawings available upon request.

IHP Industrial High Purity	- 12TB 12 Round T-style B Bottom Open	- ___ Element Length	- ___ Cartridge Connection	- ___ Inlet/Outlet Connection	- 1/2 ___ Vent/Drain Connection	- ___ Gasket Material	- ___ Interior/Exterior Finish
		1 10"	1 DOE	3" TC Tri Clamp	TC Tri Clamp	E EPDM	BBP Bead Blast & Passivate
		2 20"	2 Cup & Post	3" F Flanged	NPT Female Threaded	V Viton	
		3 30"	7 226	4" TC Tri Clamp		S Silicon	EP Electropolish
		4 40"	8 222	4" F Flanged			