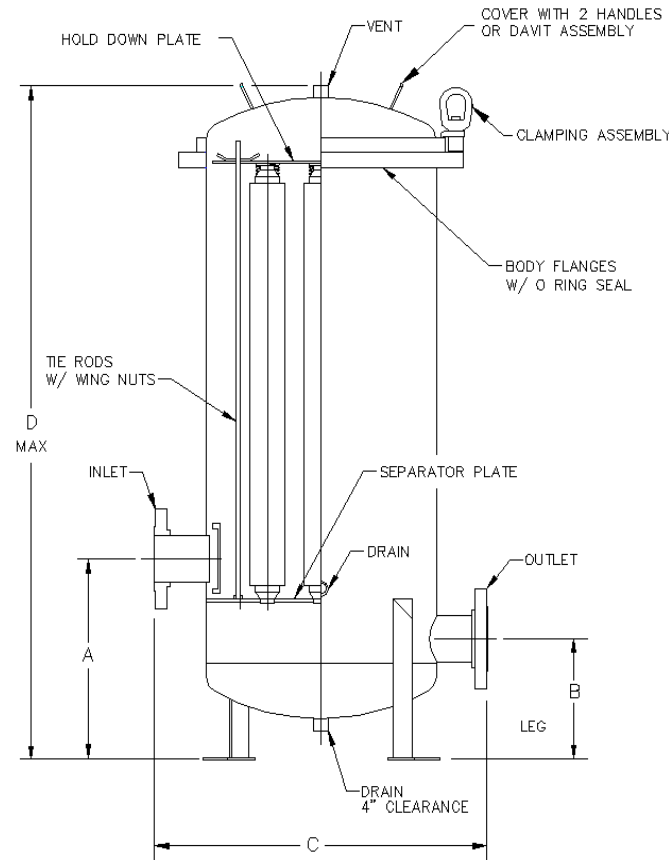


Industrial High Purity Cartridge Filter Housing

26 Round Offset



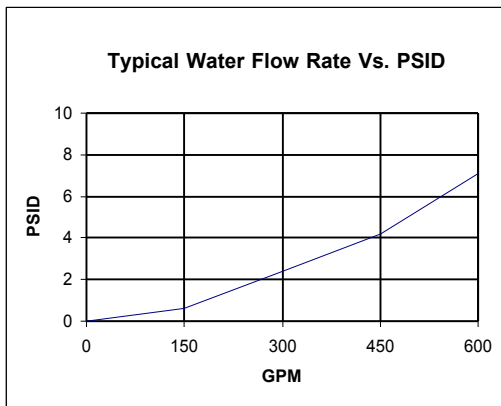
DIMENSIONAL DATA

CARTRIDGE LENGTH	CONNECTION TYPE	"A"	"B"	"C"	"D"	WT. (LBS)
30"	3"8.4" F	17 1/2"	11 1/2"	26"	53 1/2"	185
30"	3" TC	17 1/2"	11 1/2"	22"	53 1/2"	160
30"	4" TC	17 1/2"	11 1/2"	21"	53 1/2"	165
40"	3"8.4" F	17 1/2"	11 1/2"	26"	63 1/2"	195
40"	3" TC	17 1/2"	11 1/2"	22"	63 1/2"	170
40"	4" TC	17 1/2"	11 1/2"	21"	63 1/2"	175

MAXIMUM FILTER DIAMETER 2 3/4"



CARTRIDGE CONNECTIONS



Custom Housing Part Number

Note: Dimensions are for reference only. Design drawings available upon request.

IHP Industrial High Purity	- 26OT 26 Round Offset Style	- ___ Element Length	- ___ Cartridge Connection	- ___ Inlet/Outlet Connection	- 1/2 ___ Vent/Drain Connection	- ___ Gasket Material	- ___ Interior/Exterior Finish
		3 30"	1 DOE	3TC Tri Clamp	TC Tri Clamp	E EPDM	BBP Bead Blast
		4 40"	2 Cup & Post	3F Flanged	NPT Female Threaded	V Viton	& Passivate
			7 226	4TC Tri Clamp		S Silicon	EP Electropolish
			8 222	4F Flanged			